

LED Display Module

MW7218-M



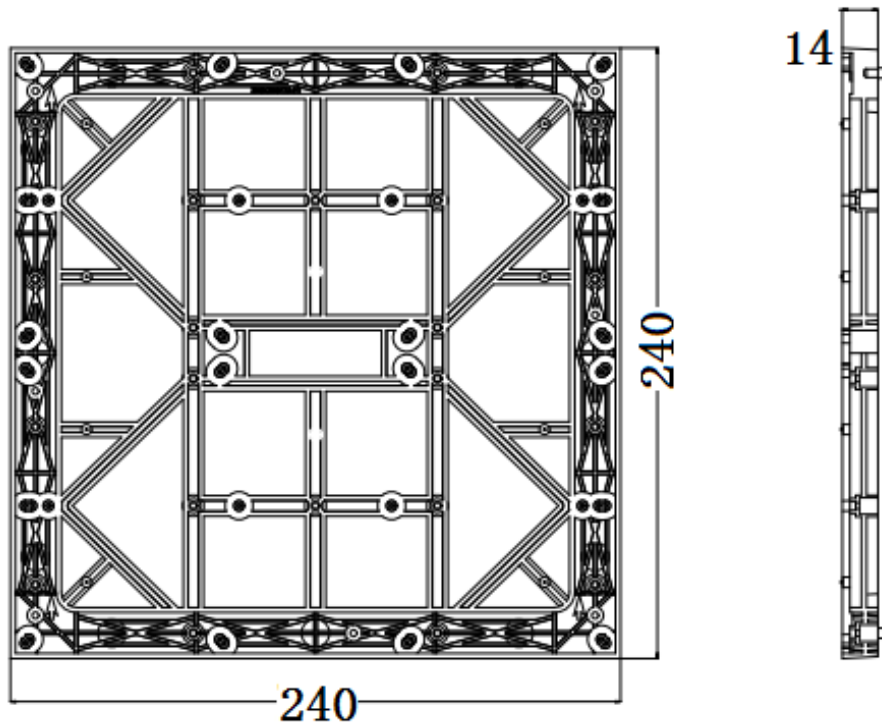
Key Features

- Broadcast grey processing gives more image details
- Superior brightness and color uniformity maintains smooth and complete image quality
- Bezel-free native 1080P, 4K and customized resolution LED video wall system
- High brightness provides vivid images in a range of lighting conditions
- Superior contrast ratio
- Ultra high refresh rate
- Wide view of field:160°(H)/ 140°(V)
- Low heating and natural heat dissipation mechanism enables fan-less design, no noise
- Support 7*24 working and lower power consumption
- Long service life

Specifications

Model	MW7218-M
LED Module	
Pixel Pitch	P1.8
Resolution(W×H)	128×128
Dimensions(mm)	240(W)×240(H)×14(D)
Pixel Density(dots/m ²)	284444
Surface Evenness(mm)	≤0.2
Module Weight(kg)	0.4
Optical	
Single Pixel Brightness Correction	Support
Single Pixel Color Correction	Support
Brightness(nits)	800
Color Temperature(K)	3000 to 9000 adjustable
Viewing Angle	Horizontal 160°, Vertical 140°
Center distance deviation of LED	<3%
Brightness Uniformity	≥97%
Color Uniformity	±0.003Cx,Cy
Contrast	4000:1
Processing Performance	
Grey Level	14bit
Driving Mode (S)	Constant current driving, 1/32 scan
Frame Frequency(Hz)	50/60
Refresh Rate(Hz)	3840
Electrical	
Power Supply(V)	AC 200-240
Average Consumption(W/m ²)	174
Max Consumption(W/m ²)	490
General	
Maintenance Mode	Front/Rear
Ingress Protection	IP30
Operation Temperature/Humidity (°C/ RH)	-10~+40°C/10~80%RH(No Condensation)
Storage Temperature/Humidity(°C/RH)	-20~+60°C/10~85%(No Condensation)
Working Hours(H)	50000

Dimensions

**Zhejiang Uniview Technologies Co.,Ltd.**

Building No.10, Wanlun Science Park, Jiangling Road 88, Binjiang District, Hangzhou, Zhejiang, China

Email: overseasbusiness@uniview.com; globalsupport@uniview.com

<http://www.uniview.com>

©2017 Zhejiang Uniview Technologies Co.,Ltd. All rights reserved.

*Product specifications and availability are subject to change without notice.