

# Wireless Screen Sharing Dongle

HB-7199-TP



## Key Features

- Mirrors your computer screen to a smart interactive display at any time without wiring.
- One-press to mirror your computer screen to a smart interactive display without installation and configuration.
- Supports Windows 7/8/10 and Mac OS.
- Reverse control allows users to control the computer on the smart interactive display.
- Up to 1080P resolution, provides high-definition images.
- Supports playing audio synchronously without additional cables to transmit audio signals.

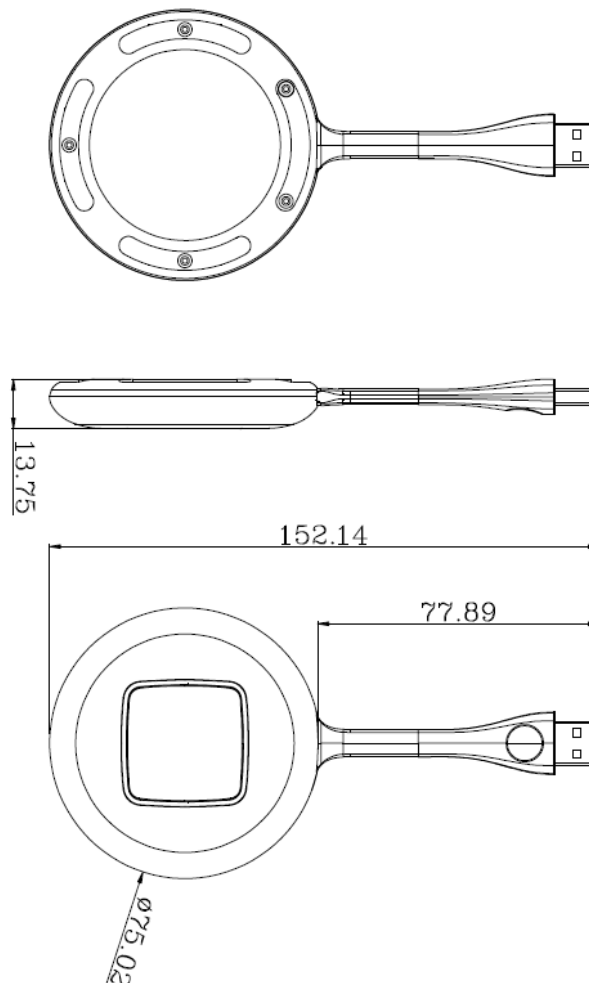
## Specifications

Model	HB-7199-TP
Parameter	
Configuration and Installation	No configuration, no installation
Connection Method	USB device
Compatibility	Windows 7/8/10、Mac OS
Resolution	720P~1080P
Frame Rate	Audio/Video: 18~25
Time Delay(ms)	100~150
Display Mode	Supports desktop expansion (Windows 7/8/10)
Reverse Control	Supports 10-point multi-control on the smart interactive display to control the computer screen (Windows 7/8/10)
	Supports controlling the computer screen via a mouse on the smart interactive display (Windows 7/8/10、Mac)

Model	HB-7199-TP
Number of Dongles Connected to a Display Simultaneously	1~8 (an industrial router is required when connecting more than 8 dongles simultaneously)
Number of Screens Projected Simultaneously	1~4
Wireless Speed	Transmitter side: 300Mbps
Wireless Transmission Protocol	IEEE 802.11 a/g/n/ac
Frequency Band	2.4G/5G
Encryption	AES
Authentication Protocol	WPA2 PSK
Dimensions(L*W*H)(mm)	152.14*75.02*13.75

## Appearance

## Dimensions



## Order Information

Model	Remarks
HB-7199-TP	Wireless Screen Sharing Dongle

**Zhejiang Uniview Technologies Co., Ltd.**

Building No.10, Wanlun Science Park, Jiangling Road 88, Binjiang District, Hangzhou, Zhejiang, China

Email: [overseasbusiness@uniview.com](mailto:overseasbusiness@uniview.com); [globalsupport@uniview.com](mailto:globalsupport@uniview.com)

<http://www.uniview.com>

©2022 Zhejiang Uniview Technologies Co., Ltd. All rights reserved.

\* Product specifications and availability are subject to change without notice.