

LCD Splicing Display Unit

MW-A55-B1-C

Product Overview



LCD Splicing Display Unit

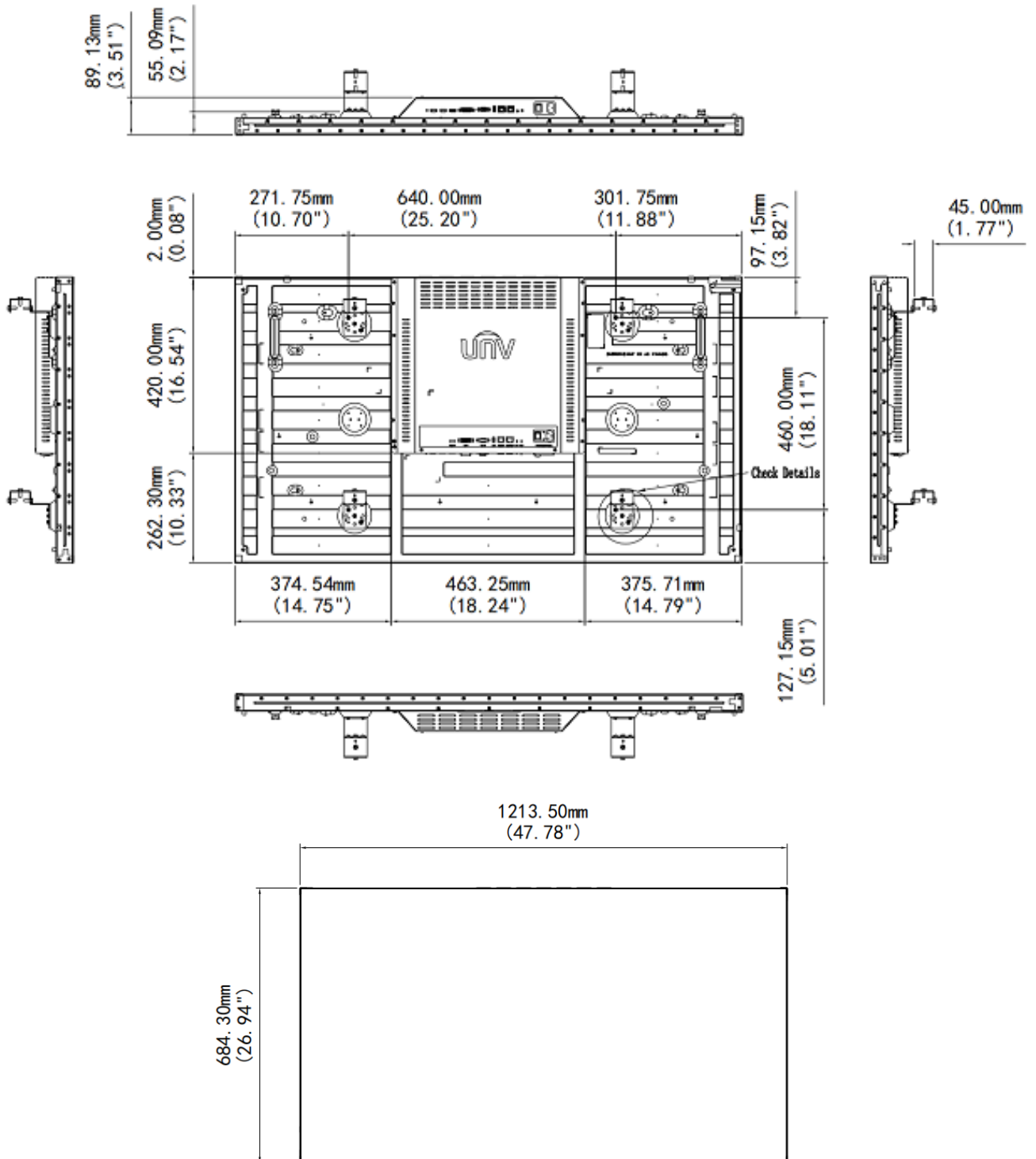
Key Features

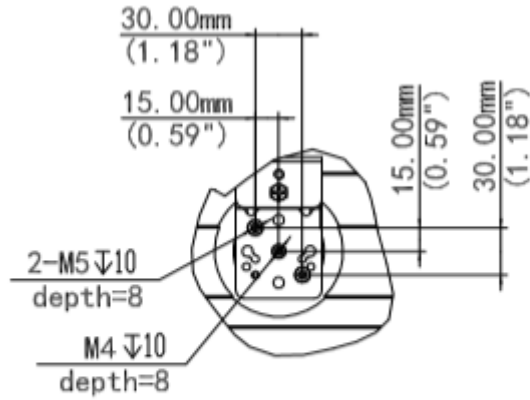
- Industrial-grade panel, highly reliable integrated structure design, continuous stable operation.
- Direct-lit LED backlight provides high brightness uniformity without border shadows.
- Ultra-narrow 3.5 mm seam.
- Supports white balance adjustment, delivering delicate and colorful images.
- Wide 178° viewing angles.
- Built-in image splicing function(work with splitter).
- Support anti-burn technology, landscape and portrait installation.
- Supports delayed boot after power on.
- Advanced direct-lit local dimming technology with low power consumption, saving energy.
- Metal case protects the unit from interference of radiation, magnetic fields, and strong electric fields.

Specifications

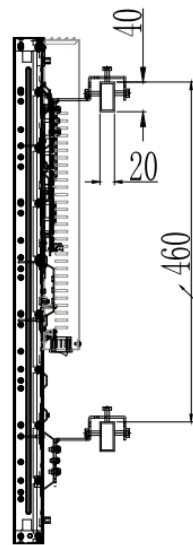
Model	MW-A55-B1-C
Panel	
Panel size	55 inches
Resolution	1080P
Physical seam (mm)	3.5
Color support	16.7M
Brightness (cd/m ²)	500
Contrast ratio	4000:1
Response time (ms)	8
Viewing angle (H/V)	178°/178°
Interface	
Video input	DVI × 1, HDMI × 1, VGA × 1
Other interfaces	USB × 1, RS232 × 2, 3.5mm IR interface × 1, power on/off button × 1
General	
Power supply	AC 100 to 240V, 50/60Hz
Product dimensions (W×H×D)(mm)	1213.50 × 684.30 × 89.13
Power consumption (W)	180
Lifetime (h)	50000
Weight (kg)	17.5
Case color	Black
Operating temperature	0°C to 40°C
Operating humidity	20% to 90% (non-condensing)

Dimensions





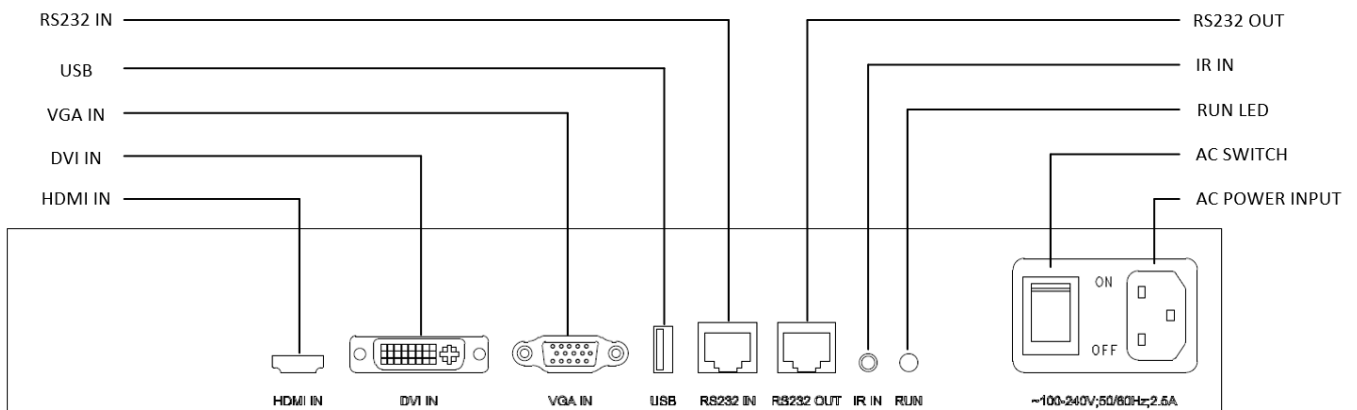
Detail A Engineering installation screw hole
 Size ratio 1:2 4 positions in total



Recommend to use 20mm*40mm*2mm square steel pipe.
 The upper and lower distance of the two steel pipes hanging the screen is 460mm

Unit: mm

Interfaces



Order Information

Model	Remarks
MW-A55-B1-C	LCD Splicing Display Unit
Splicing Display Hooks-sheet metal	Standard

Zhejiang Uniview Technologies Co., Ltd.

Building No.10, Wanlun Science Park, Jiangling Road 88, Binjiang District, Hangzhou, Zhejiang, China

Email: overseasbusiness@uniview.com; globalsupport@uniview.com

<http://www.uniview.com>

©2021 Zhejiang Uniview Technologies Co., Ltd. All rights reserved.

* Product specifications and availability are subject to change without notice.